

PLEASE CHECK WWW.MOLEX.COM FOR LATEST PART INFORMATION

Part Number: [0014450203](#)
Status: **Active**
Overview: [cgrid_sl_products](#)
Description: 2.54mm (.100") Pitch SL™ Insulation Displacement Connector Assembly, Male, Single Row, Version D, Back Ribs, for Wire Size 24, 3.81µm (150µ") Tin (Sn), 3 Circuits

Documents:

[3D Model](#) [Product Specification PS-70400 \(PDF\)](#)
[Drawing \(PDF\)](#) [RoHS Certificate of Compliance \(PDF\)](#)

Agency Certification

CSA LR19980
 UL E29179

General

Product Family Ribbon Cable / Wire Trap Connectors
 Series [70475](#)
 Comments Terminals Preloaded
 Component Type Housing
 Glow-Wire Compliant No
 Overview [cgrid_sl_products](#)
 Product Name SL™

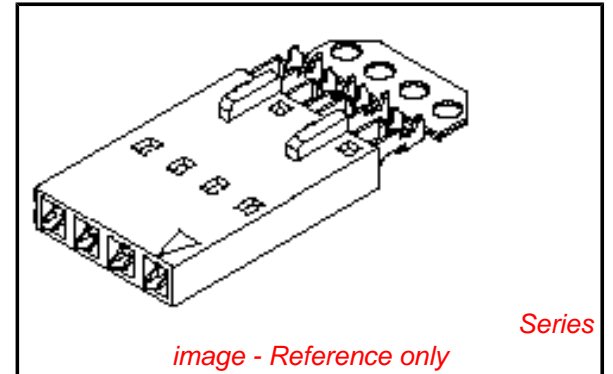
Physical

Circuits (Loaded) 3
 Color - Resin Black
 Durability (mating cycles max) 25
 Entry Angle Vertical
 Flammability 94V-0
 Lock to Mating Part None
 Material - Metal Phosphor Bronze
 Material - Plating Mating Tin
 Material - Plating Termination Tin
 Material - Resin Polyester Alloy
 Number of Rows 1
 PCB Retention None
 Packaging Type Tube
 Pitch - Mating Interface (in) 0.100 In
 Pitch - Mating Interface (mm) 2.54 mm
 Plating min: Mating (µin) 150
 Plating min: Mating (µm) 3.81
 Plating min: Termination (µin) 150
 Plating min: Termination (µm) 3.81
 Polarized to Mating Part No
 Stackable Yes
 Surface Mount Compatible (SMC) N/A
 Temperature Range - Operating -40°C to +105°C
 Termination Interface: Style IDT or Pierce
 Wire Insulation Diameter 1.35mm (.053") max.
 Wire Size AWG 24
 Wire/Cable Type Discrete Wire, Ribbon Cable

Electrical

Current - Maximum per Contact 3A
 Voltage - Maximum 250V

Material Info



EU RoHS
ELV and RoHS
Compliant
REACH SVHC
Not Reviewed
Halogen-Free
Status
Not Reviewed

China RoHS



Need more information on product environmental compliance?

Email productcompliance@molex.com
 For a multiple part number RoHS Certificate of Compliance, [click here](#)

Please visit the [Contact Us](#) section for any non-product compliance questions.

Search Parts in this Series

[70475Series](#)

Mates With

[70004](#) Interim Clip (Single Row), [70013](#) Interim Clip (Dual Row)

Use With

[7307](#) Tinned 28AWG, [7767](#) Topcoat 28AWG, [24241](#) Tinned 26AWG, [8996](#) Topcoat 26AWG, [24226](#) Tinned 24AWG, [8997](#) Topcoat 24AWG, [24369](#) High Flex 26AWG, [24389](#) High Flex 24AWG

Old Part Number

A-70475-0072

Reference - Drawing Numbers

Product Specification

PS-70400

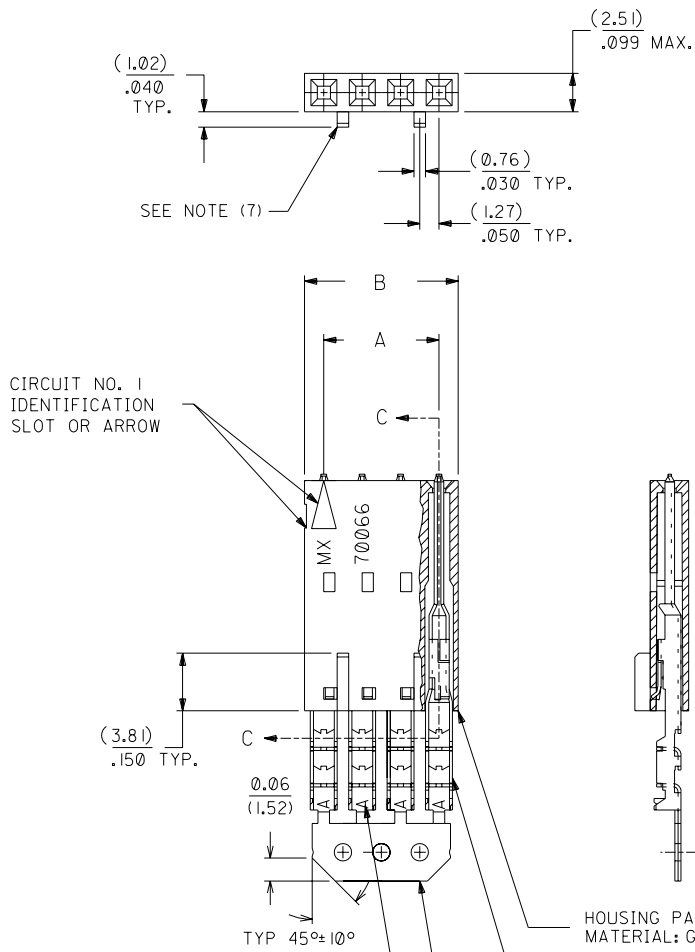
This document was generated on 05/20/2010

PLEASE CHECK WWW.MOLEX.COM FOR LATEST PART INFORMATION

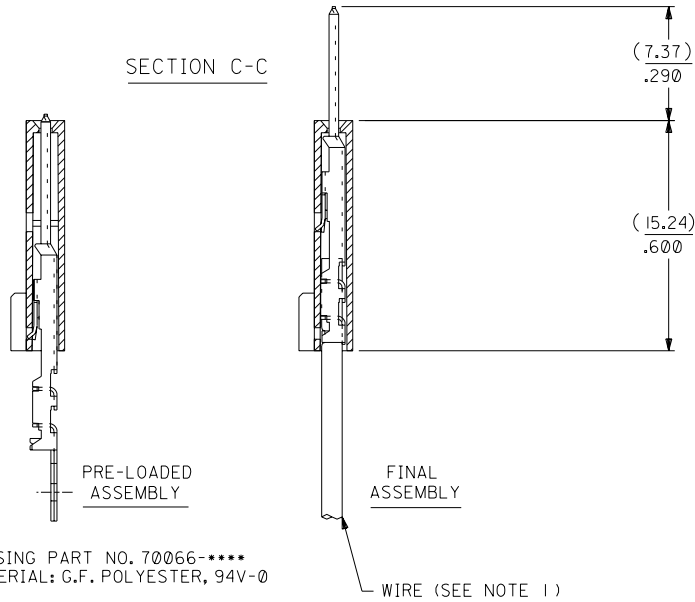
OPTION D

NOTES:

- 1) TO BE USED WITH (24) AWG. STRANDED WIRE WITH (1.35)/.053 DIA. MAX. INSULATION.
- 2) SEE CHART FOR CIRCUIT SIZES.
- 3) STANDARD PACKAGING PER PK-70873-0001. OPTIONAL PACKAGING MAY BE AVAILABLE, REQUEST DWG. PK-70475.
- 4) PARTS STACKABLE END TO END ON (2.54)/.100 CENTERS.
- 5) REFER TO PRODUCT SPECIFICATION: PS-70475.
- 6) SEE DWG. SDA-70475-***** (SHT.3) FOR OPTIONAL HOUSING DETAILS.
- 7) 4 CIRCUIT SHOWN. 3 - 25 CKT'S. HAVE (2) RIBS.
- 8) TO MATE WITH MOLEX PART NO'S.: 70018-****, 70022-****, 70104-****.
- 9) 2 CIRCUIT ASSEMBLIES SUPPLIED AS GROUPED PAIRS.



SECTION C-C



HOUSING PART NO. 70066-****
MATERIAL: G.F. POLYESTER, 94V-0

TERMINAL PART NO. 70110-****
MATERIAL: PHOSPHOR BRONZE
PLATING PER ES-88-***
TIN - .000150 MINIMUM TIN OVER
.000050 MINIMUM NICKEL PLATE.

*THE PRIMARY SHIPPING CARTON WILL BE LABELED "COMPLIANT TO RoHS DIRECTIVE 2002/95/EC AND ELV ANNEX II OF DIRECTIVE 2000/53/EC". CARTONS WITHOUT THIS LABEL MAY CONTAIN PRODUCT WITH LEAD.

I.D. SLOT CODE TO WIRE GAUGE CHART	
I.D. SLOT CODE	WIRE GAUGE
A	24 AWG.

PLATING CODE (STRIPE ON CARRIER STRIP)	
PLATING	COLOR
TIN	NONE

CKT. SIZE	DIMENSIONS (INCH)		EDP. NO.	ENG. NO.
	A	B		
2	(2.54) .100	(5.05) .199	14-45-0202	A-70475-0071
3	(5.08) .200	(7.59) .299	14-45-0203	A-70475-0072
4	(7.62) .300	(10.13) .399	14-45-0204	A-70475-0073
5	(10.16) .400	(12.67) .499	14-45-0205	A-70475-0074
6	(12.70) .500	(15.21) .599	14-45-0206	A-70475-0075
7	(15.24) .600	(17.75) .699	14-45-0207	A-70475-0076
8	(17.78) .700	(20.29) .799	14-45-0208	A-70475-0077
9	(20.32) .800	(22.83) .899	14-45-0209	A-70475-0078
10	(22.86) .900	(25.37) .999	14-45-0210	A-70475-0079
11	(25.54) 1.000	(27.91) 1.099	14-45-0211	A-70475-0080
12	(27.94) 1.100	(30.45) 1.199	14-45-0212	A-70475-0081
13	(30.48) 1.200	(32.99) 1.299	14-45-0213	A-70475-0082
14	(33.02) 1.300	(35.53) 1.399	14-45-0214	A-70475-0083
15	(35.56) 1.400	(38.07) 1.499	14-45-0215	A-70475-0084
16	(38.01) 1.500	(40.61) 1.599	14-45-0216	A-70475-0085
17	(40.64) 1.600	(43.15) 1.699	14-45-0217	A-70475-0086
18	(43.18) 1.700	(45.69) 1.799	14-45-0218	A-70475-0087
19	(45.72) 1.800	(48.23) 1.899	14-45-0219	A-70475-0088
20	(48.26) 1.900	(50.77) 1.999	14-45-0220	A-70475-0089
21	(50.80) 2.000	(53.31) 2.099	14-45-0221	A-70475-0090
22	(53.34) 2.100	(55.85) 2.199	14-45-0222	A-70475-0091
23	(55.88) 2.200	(58.39) 2.299	14-45-0223	A-70475-0092
24	(58.42) 2.300	(60.93) 2.399	14-45-0224	A-70475-0093
25	(60.96) 2.400	(63.47) 2.499	14-45-0225	A-70475-0094

LTR.	REVISIONS	LTR.	REVISIONS
G	LEAD FREE UCP2004-1769 RWHITE 04/03/24	E	REVISED PER ECR NO. U82124 10-17-88 MGB
F1	ADD CARRIER CHAMF ECN #UDT1998-0280 05/20/98 LMCGRATH	D	REVISE PER ECR #U81370 5/20/88 MJM
F	164 PLATING WAS 102 PER ECR # U31149 08/09/93 REED	C	REDRAWN ON CAD ECR# 8842 5/9/86 W.Z.

DIMENSIONS SHOWN (METRIC) INCH	
UNLESS OTHERWISE SPECIFIED TOLERANCES: ANGULAR ± 1/2°	
3 PLACE	± .010 INCH / --- METRIC
2 PLACE	± .014 INCH / ± 0.25 METRIC
1 PLACE	--- INCH / ± 0.35 METRIC

= 0 = 0 REVISE ONLY ON CAD SYSTEM
 TITLE: ASSEMBLY, SL CONNECTOR (SINGLE ROW- (2.54)/.100 GRID)
 MOLEX INCORPORATED SHEET NO. 1 DATE 10/13/84
 LITTLE, ILL. 60532 U.S.A.
 PART NO. SDA-70475-0071-0094
 SEE CHART
 FILE NAME: S70475DX1 THIS DRAWING CONTAINS INFORMATION THAT IS PROPRIETARY TO MOLEX INC. AND SHOULD NOT BE USED WITHOUT WRITTEN PERMISSION.

MFG. SH. REV.

70475